


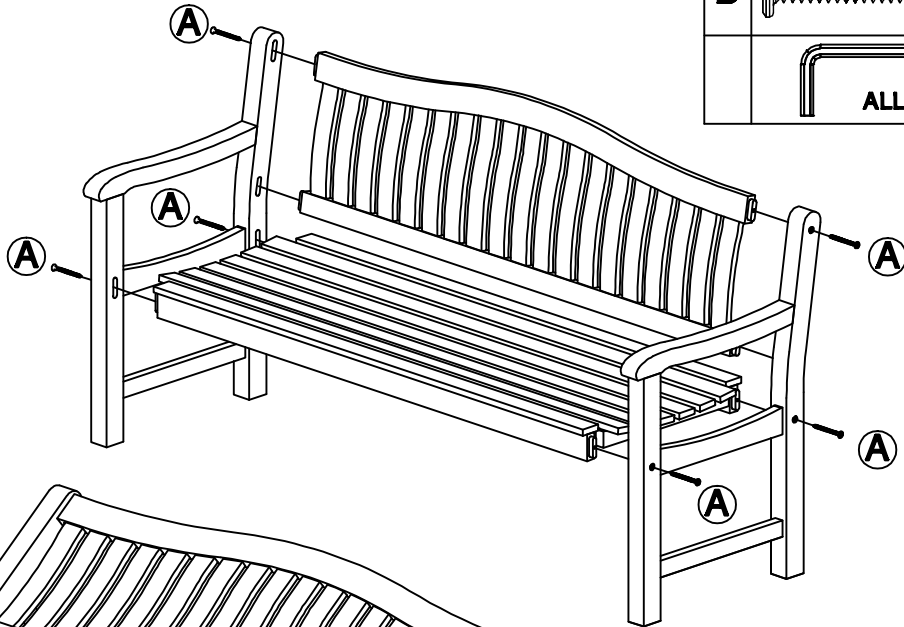


ASSEMBLY INSTRUCTIONS

Step 1

No.	HARDWARE LIST	QTY
A	 7x90 mm	6 Pcs
B	 7x35 mm	4 Pcs
	 ALLENKEY M4	1PC



Step 2

