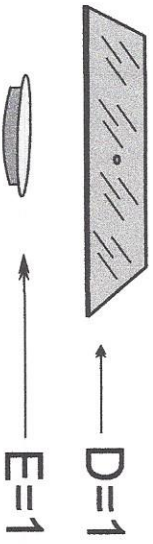
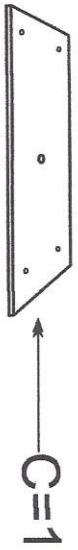
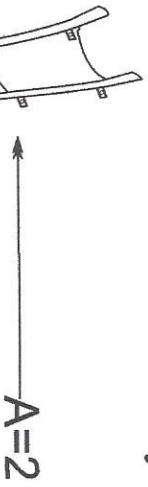




RECT 160X90CM TABLE

Part list

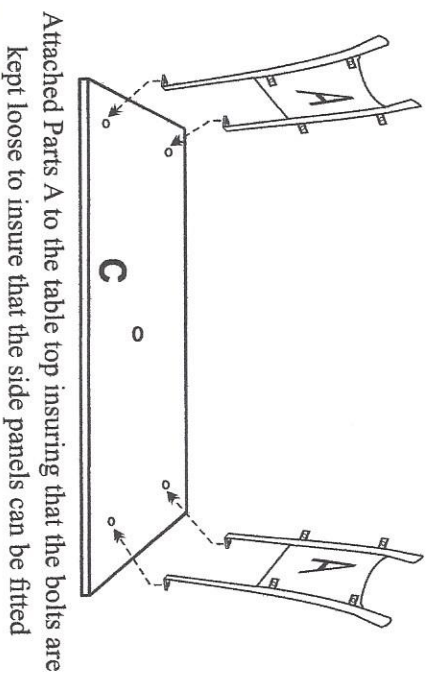
Please check to assure all items listed below available before assembly



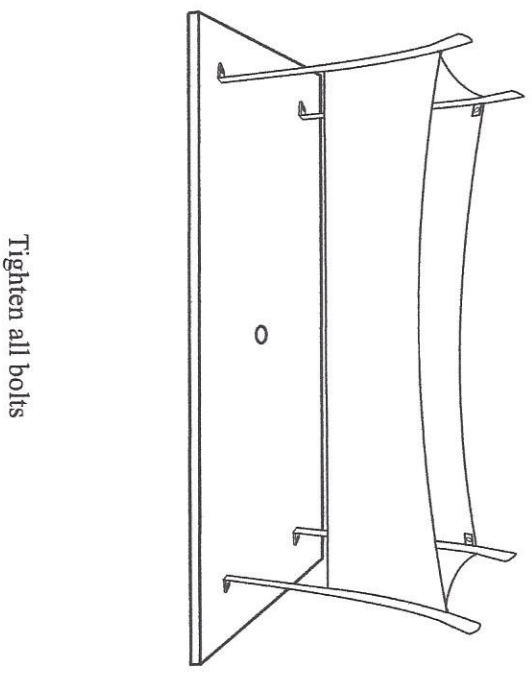
HARDWARE LIST			
①		M6 X 25	12
②		4 X L4	1

Assembly process

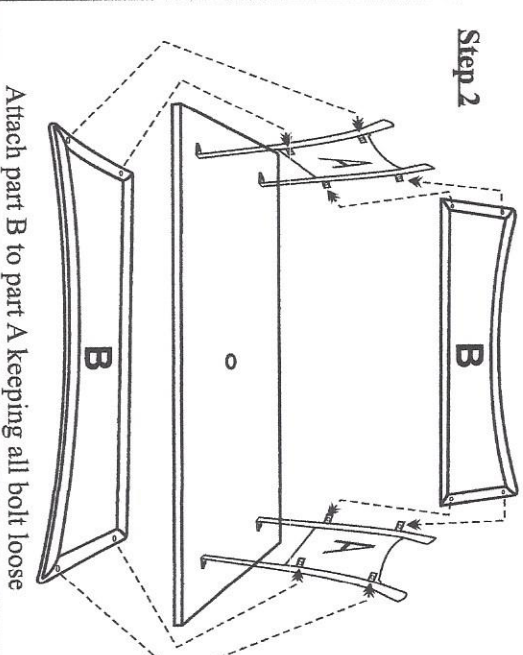
Step 1



Step 3



Step 2



Step 4

