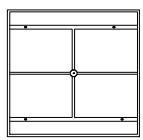
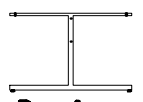
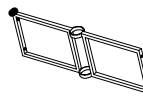



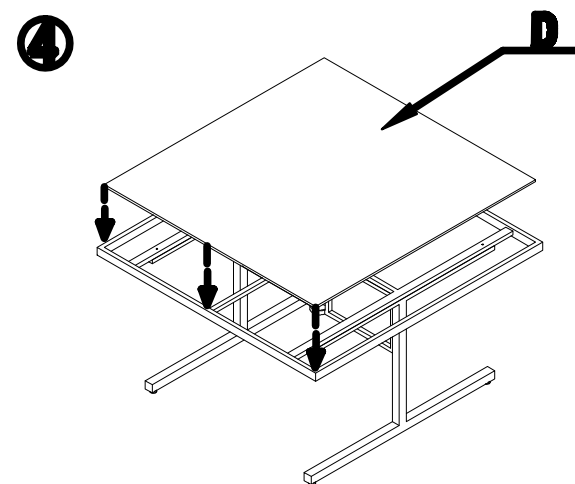
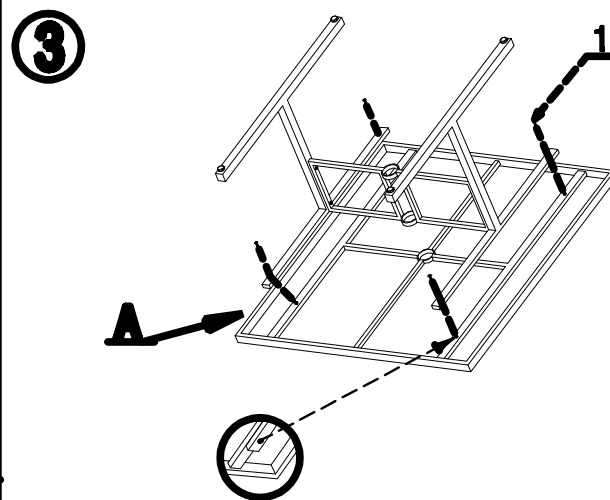
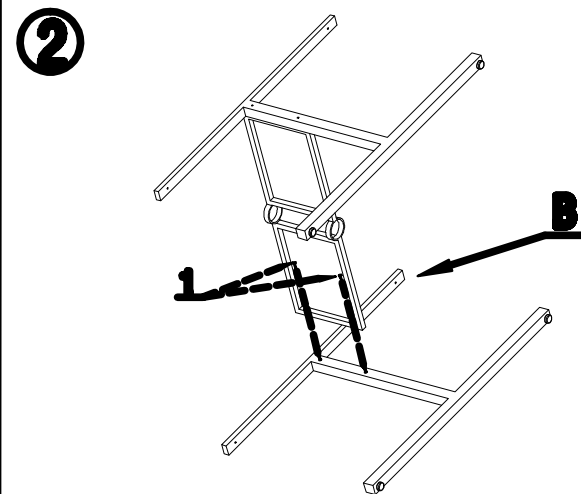
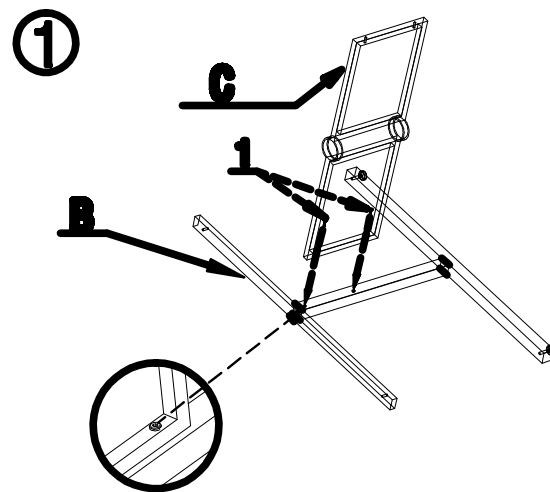
# CUBE TABE 125x130CM

**A**  = 1 PC  
Table Top



**B**  = 2 PC  
Base Legs

**C**  = 1 PC  
Centre Frame

**D**  = 1 PC  
Glass



## HARDWARE PACK

No.	Drawing	Qty
1	 M6 x 45 mm	8pcs
2	 Allenkey M4	1pcs

- NOTE:**
1. Check all furniture parts and accessories are included.
  2. Furniture and parts can be stored inside furniture units, therefore please check thoroughly.
  3. If assembly is required, do not fully tighten the screws until all screws are in position. Use the screws one by position, then tighten.