









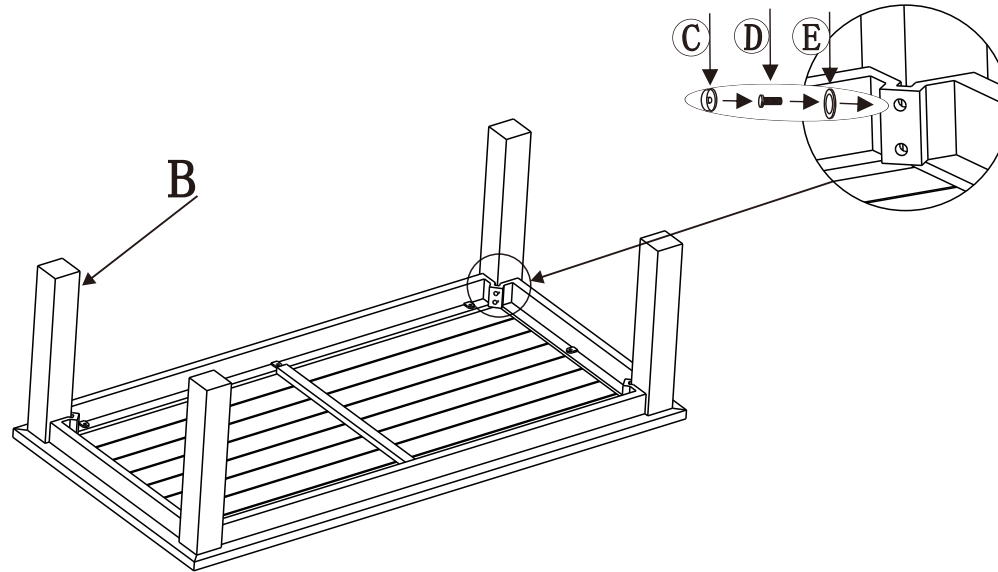
**supremo**<sup>®</sup>

LEISURE

# Assembly Instruction

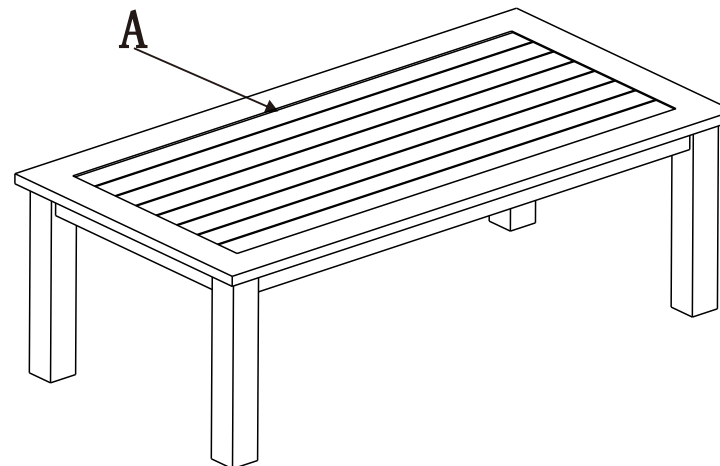
## Parts list:

No.	Picture	Name	Qty
A		Table top	1
B		Table leg	4
C		PVC bolt Cover	8
D		M6X40 Bolt	8
E		Steel Washer	8
F		Wrench	1



①

②



GLA-5080-2447WKD