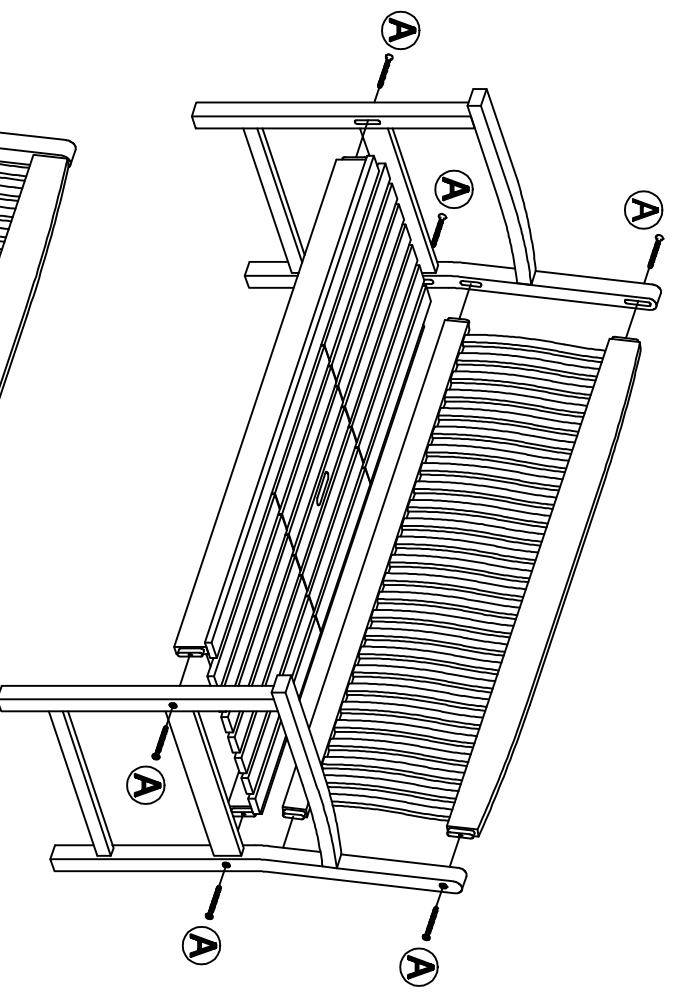
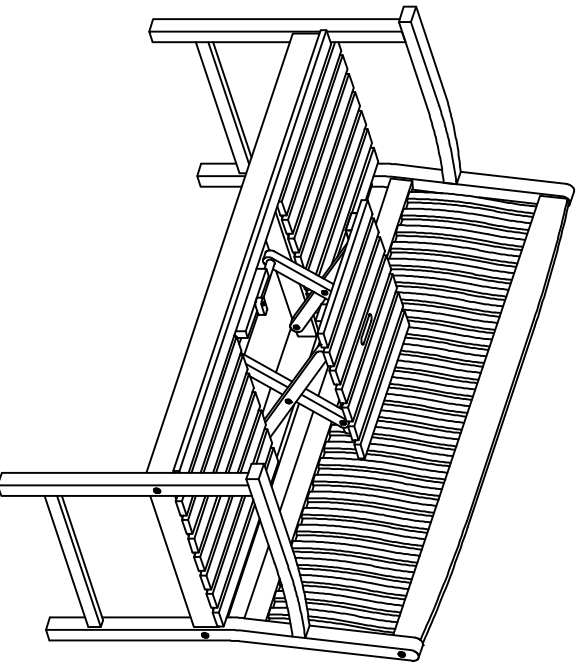
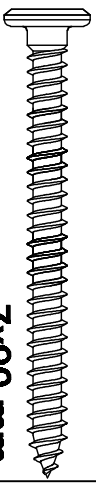



ASSEMBLY INSTRUCTIONS



| No. | HARDWARE LIST | QTY |
|-----|--|-------|
| A |  7x90 mm | 6 Pcs |
| |  ALLENKEY M4 | 1PC |

