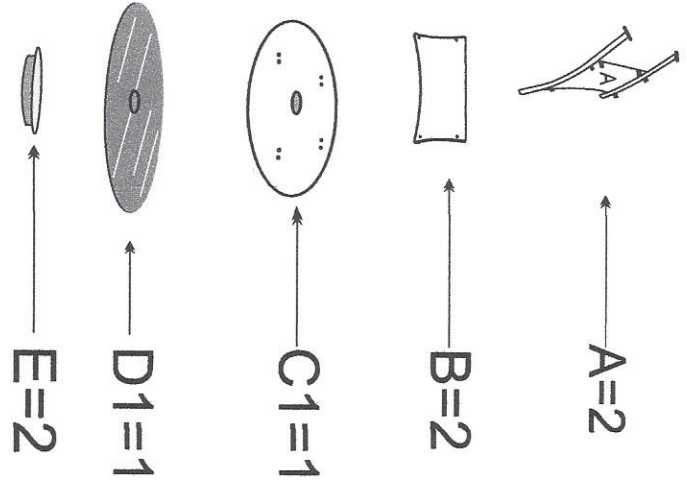


ASSEMBLY INSTRUCTION

# ROUND 110 CM TABLE

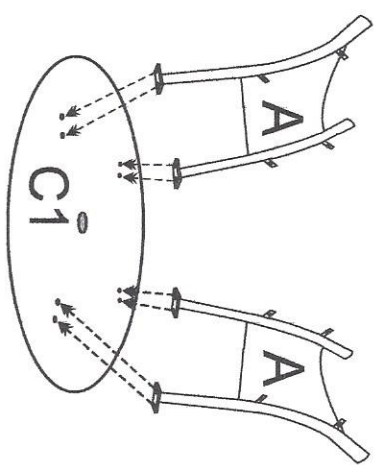
## FOR ROUND TABLE WITH FLAT WICKER

**Part list**  
 Please check to assure  
 all items listed below  
 available before assembly



HARDWARE LIST	
①	M6 X 25 16
②	4 X L4 1

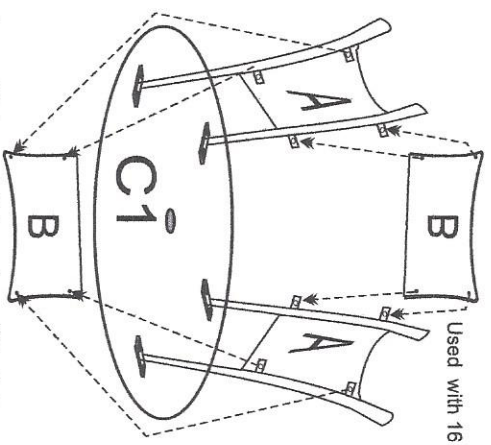
Assembly process  
**Step 1**



Used with 16 pcs M6x25

Attached Parts A to the table top insuring that the bolts are kept loose to insure that the side panels can be fitted

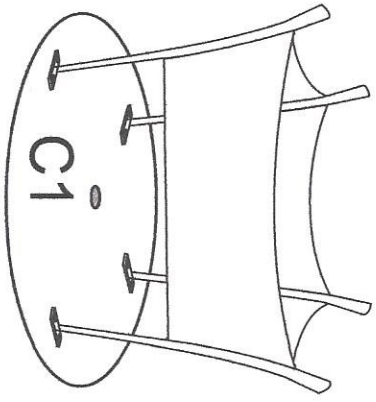
**Step 2**



Used with 16 pcs M6x25

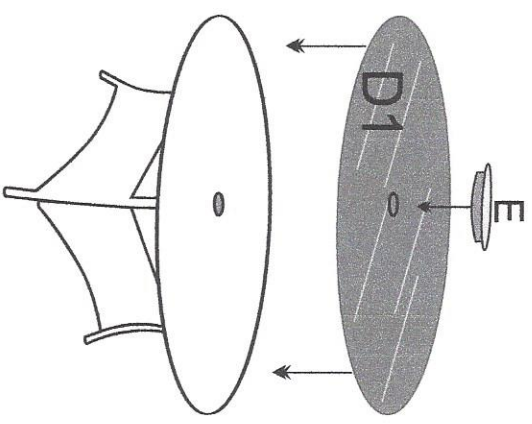
Attach part B to part A keeping all bolt loose

**Step 3**



Tighten all bolts

**Step 4**



Place glass on top of table

Note :slightly twist all the screws by hand then tighten the screws by " L "