

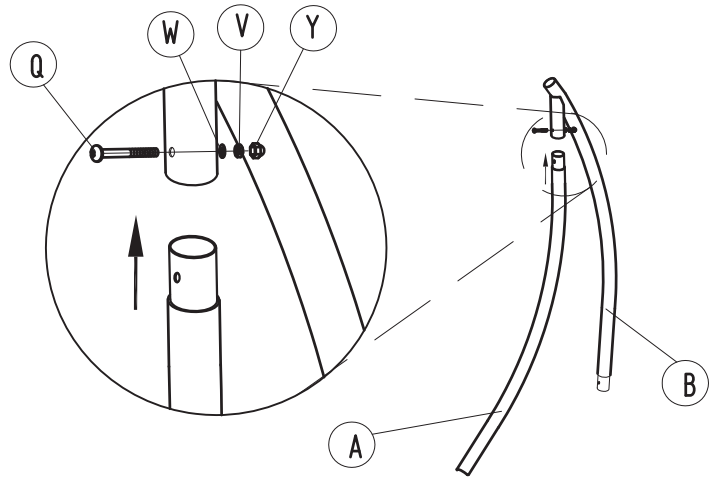


3 Seat Hammock

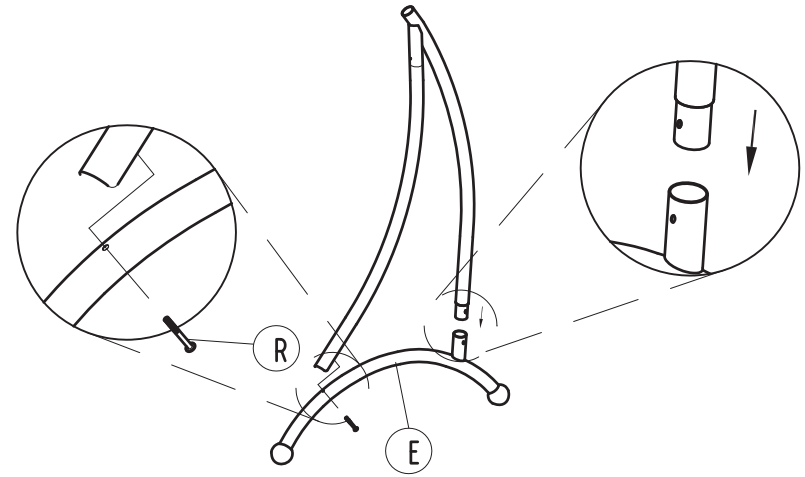


A 2	B 2	C 1	D 1		
E 2	F 1	G 1	H 2		
I 2	J 4	K 1	L 2		
M 2	N 1	O 1	P 2		
Q 6	R 2	S 2	T 2	U 4	
V M6X1 M8X16	W M6X1 M8X16	X 2	Y M6X1 M8X16	Z 2	AA 1

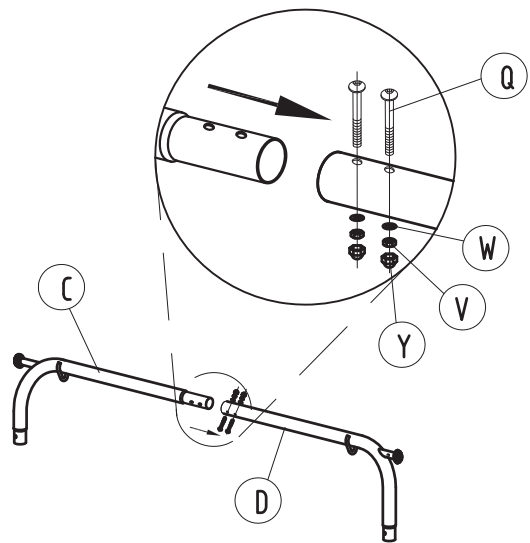
1



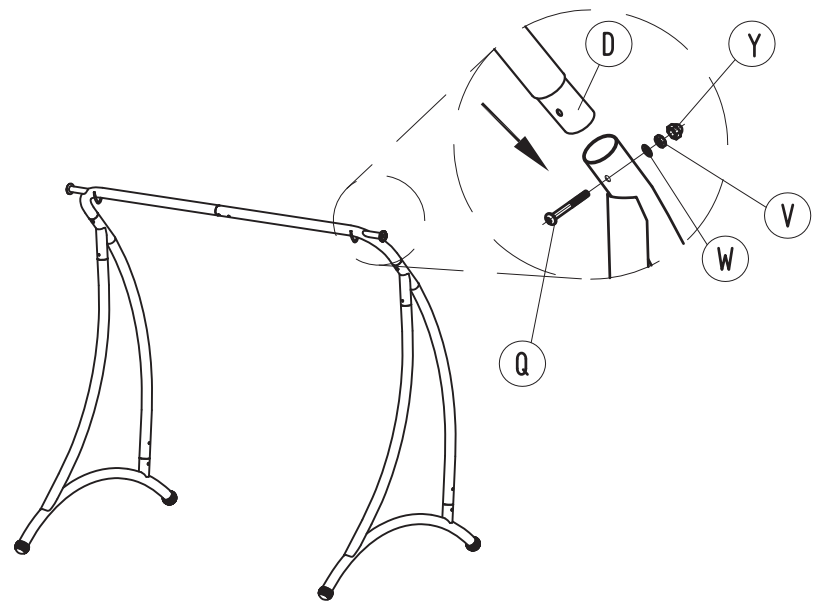
2



3

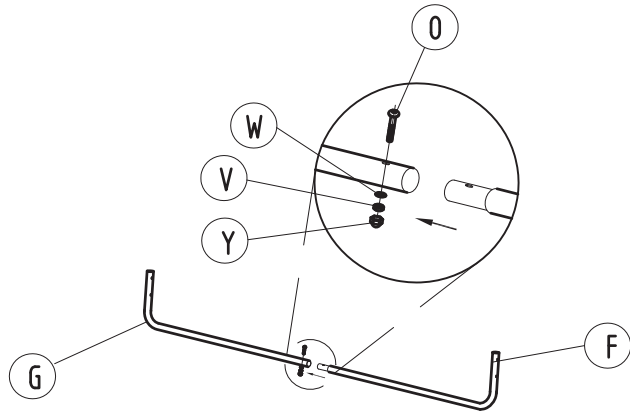


4

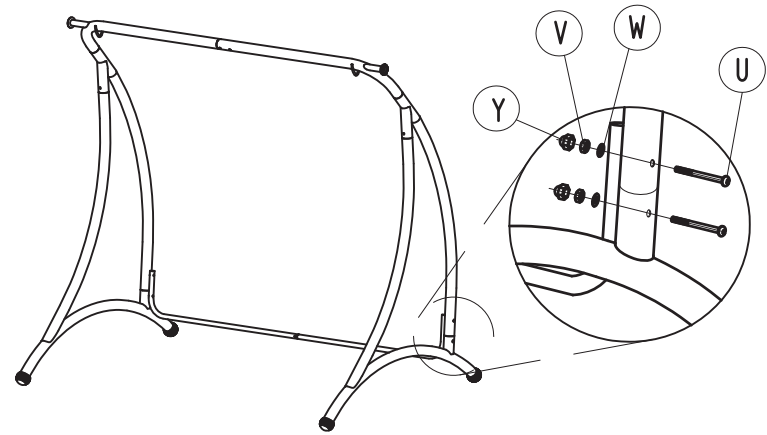


Do not tighten the screws first.

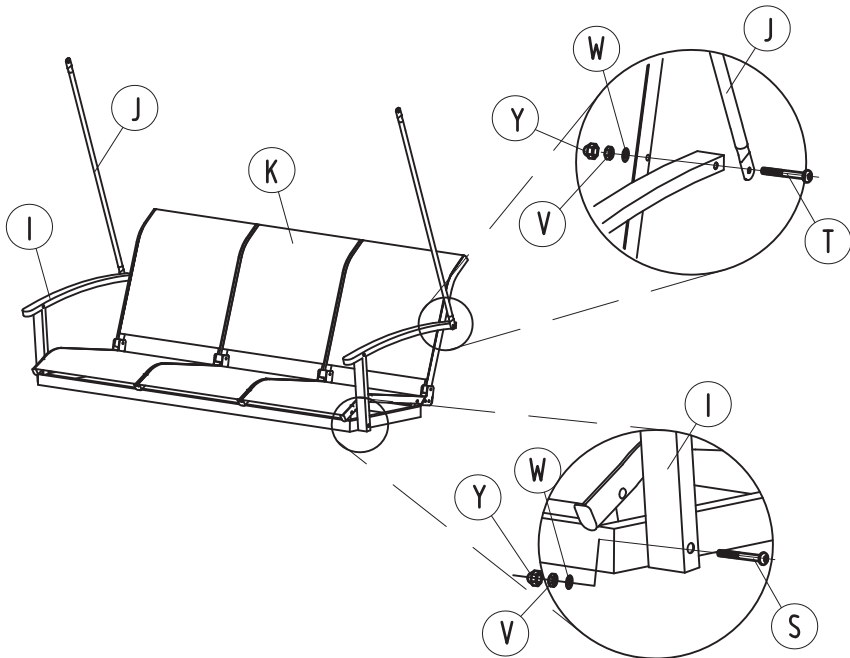
5



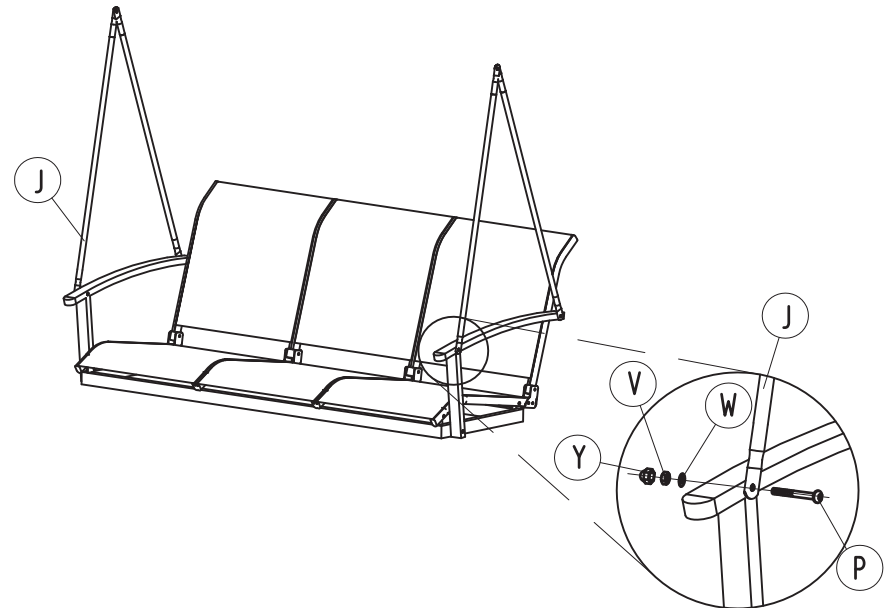
6



7

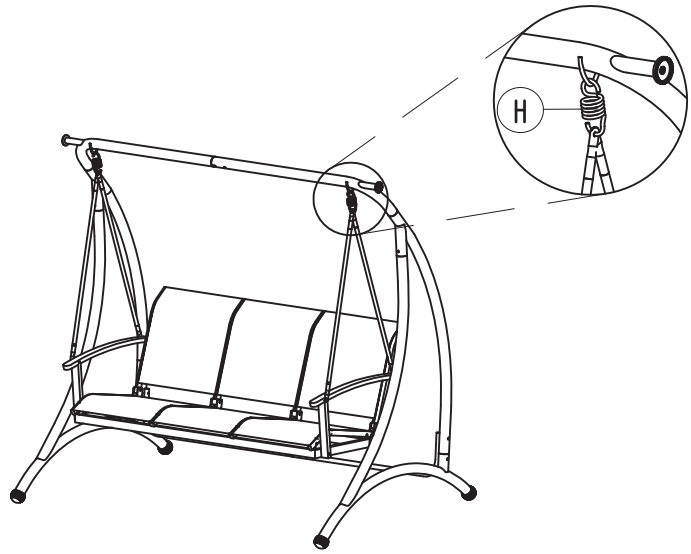


8

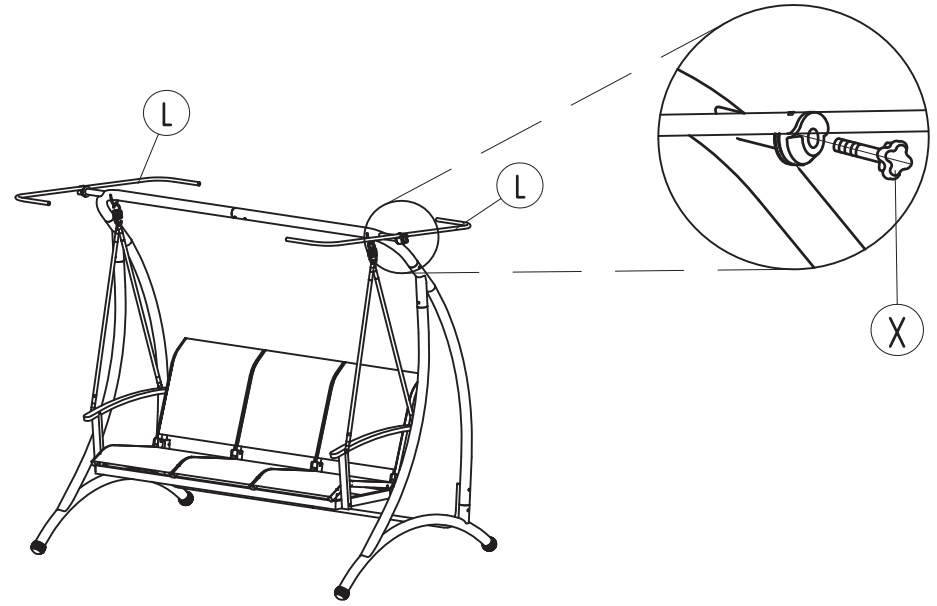


Do not tighten the screws first.

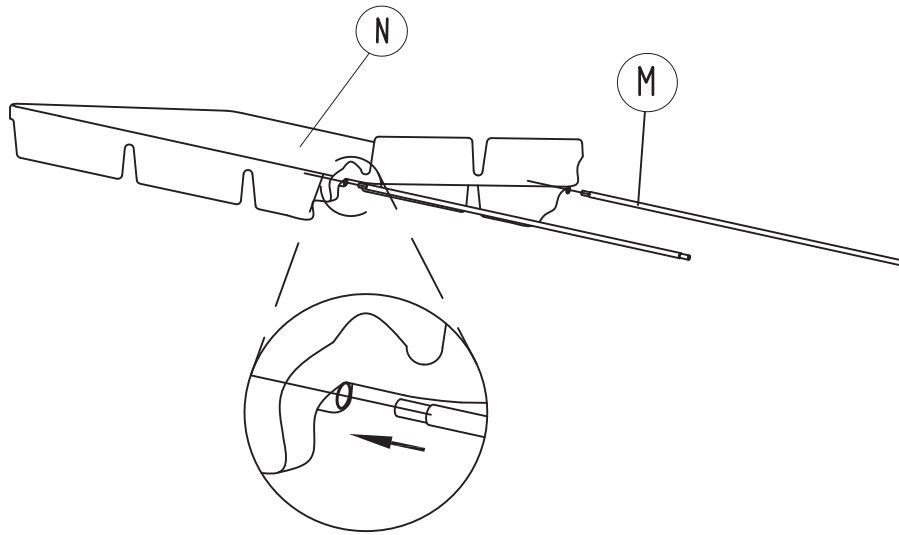
9



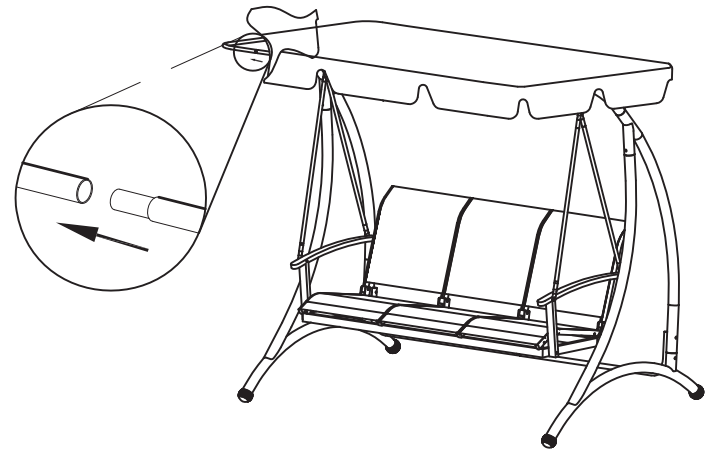
10



11



12



Do not tighten the screws first.